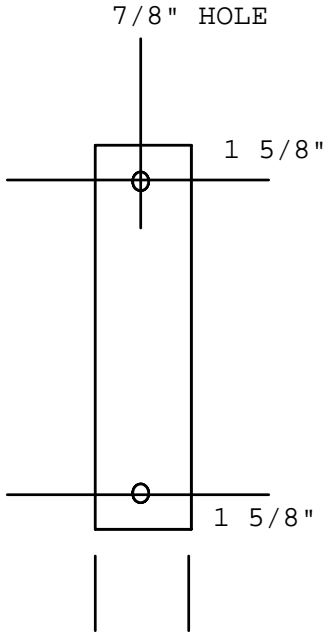
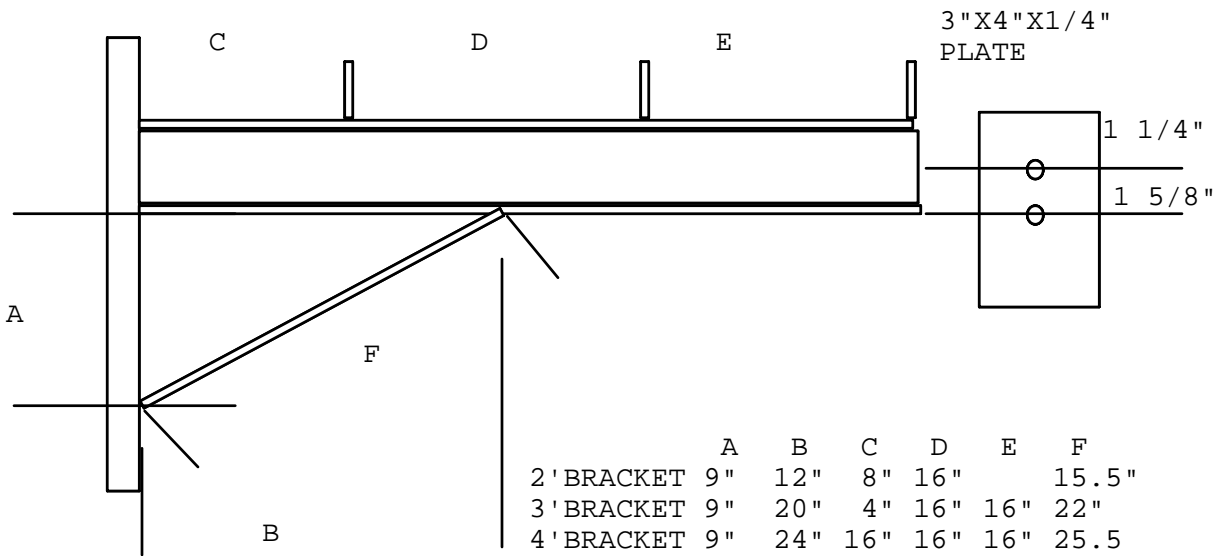


LUNMAR BOAT LIFTS
 3715 HWY 27 SOUTH
 SULPHUR LA 70665
 337-558-7200
 337-558-7202 (FAX)



6"@8.2X24"
 CHANNEL



	A	B	C	D	E	F
2' BRACKET	9"	12"	8"	16"		15.5"
3' BRACKET	9"	20"	4"	16"	16"	22"
4' BRACKET	9"	24"	16"	16"	16"	25.5"

F---2"X3/8XF FLAT BAR